

**Key Benefits**

- Does not use water
- Made of vitreous china
- Easy to install

**Specifications**

- Weight: 30 kg
- H x D x W: 46 cm x 50 cm x 34 cm
- Drain pipe connection: 200 mm

**Available Accessories**

- 200 mm drain pipe
- Eco Brush & Bucket



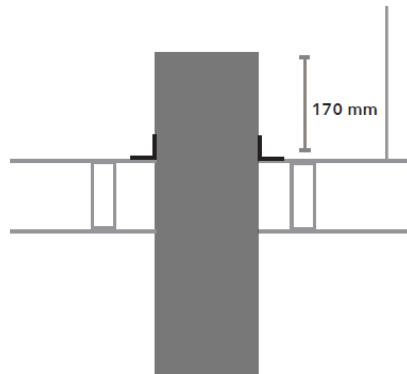
## Installation

1.



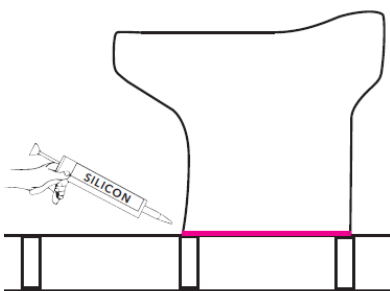
Measure 300mm from the wall to the centre of the drain pipe.

2.



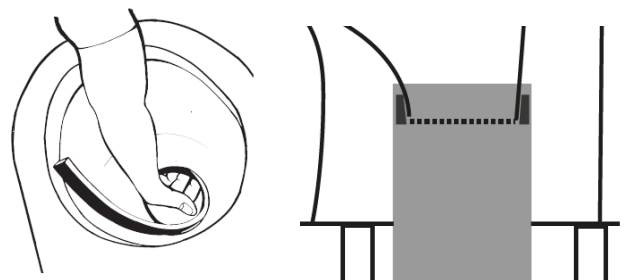
Ensure that the drain pipe is fixed with 170mm sticking out from the floor.

3.



Place the toilet bowl over the pipe and seal it with silicone.

4.



Use the supplied foam strip to create a seal between the toilet bowl and the drain pipe.